

# Tab Tension Screen

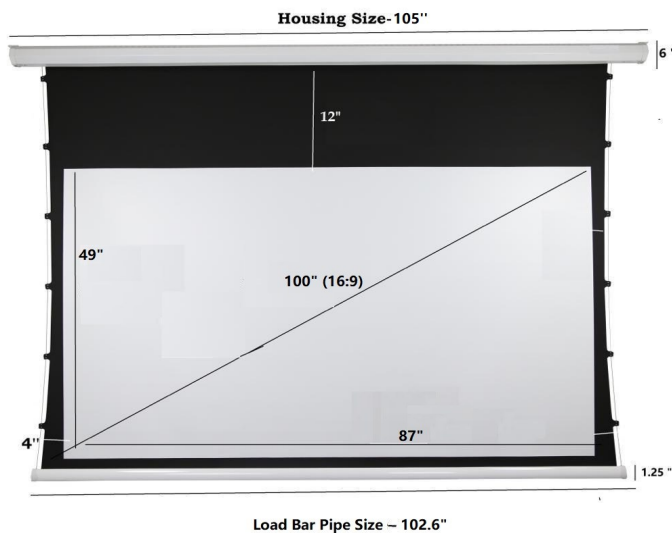
Professional Grade Perfect Finish

## Tab Tension Motorized Projection Screen

### Overview

Ordain Tab-Tensioned Motorized Screen Series is the pinnacle of projection surface technology, designed to deliver a perfectly flat viewing area for Home Theatres, Conference Rooms, and Auditoriums. The defining feature of this series is its advanced tab-tension reinforcement system, which applies consistent lateral tension to the screen surface, eliminating waves and curls to ensure a superior, broadcast-quality image.

Equipped with a high-torque, quiet Tubular Motor, the screen operates smoothly and reliably, making it ideal for multi-purpose environments where screens are frequently raised and lowered. With support for 4K Ultra HD, Active 3D, and HDR content, the Ordain Tab-Tension series guarantees that your visuals are presented with the clarity, color accuracy, and impact they deserve.



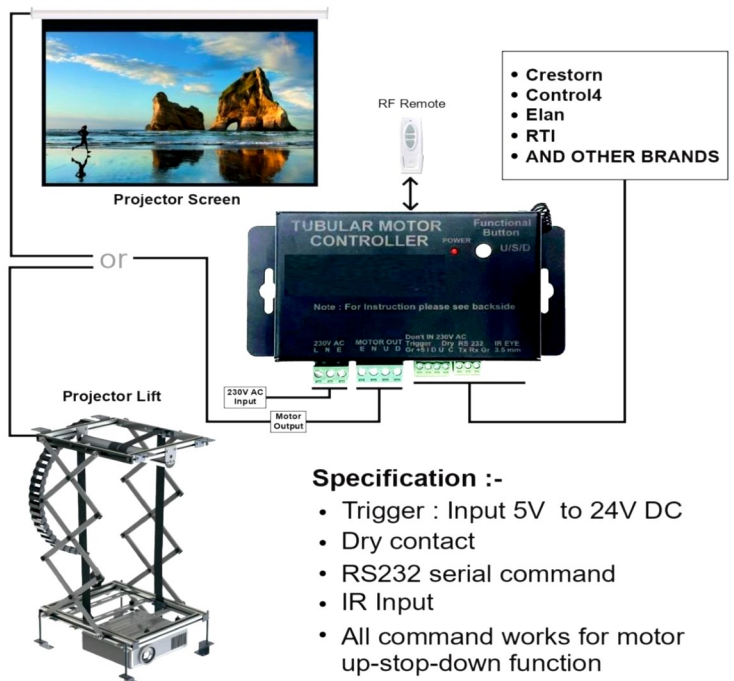
### Features

- **Superior Flatness:** The integrated tab-tensioning system ensures the fabric remains perfectly taut and flat, mimicking the performance of a fixed-frame screen while retaining the flexibility of a retractable one.
- **Premium Screen Fabric:** Utilizes Fiber Glass Matte White or American Matte White fabric, optimized for front projection with a Gain of 1.2, ensuring wide viewing angles and uniform brightness.
- **Advanced Motorization:** Powered by a high-quality 220V AC Tubular Motor concealed within the roller tube for quiet, smooth, and durable operation.
- **Comprehensive Control:** Includes an Inbuilt Low Voltage Controller (LVC) compatible with automation systems (Crestron, AMX, Extron, Control4, RTI). Supports RF Remote, Wall Switch, RS232 Serial Commands, IR Input, and 5V-24V DC Triggers.
- **Future-Ready Visuals:** Fully compatible with 4K Ultra HD, Active 3D, and HDR projection technologies.
- **Elegant Design:** Enclosed in a durable octagonal aluminium / metal casing (White/Black options) suitable for both wall and ceiling installations.

\* Pictures of Device may vary from actual models.  
 \* Product Hardware / Specification are subject to change-without further notice.  
 \* All Trademarks, Logos, Brands & Product name are properties of the respective owner

### Technical Specifications

Specification	Details
Screen Type	Electric Motorized Tab-Tensioned
Mount Type	Ceiling & Wall
Screen Fabric	Fiber Glass Matte White / American Fabric
Gain	1.2
Screen Thickness	0.5 mm
Motor Type	Silent Tubular Motor (220V AC, 50Hz)
Control System	LVC (Low Voltage Controller), RF Remote, Wall Switch
Automation Support	RS232, IR, Dry Contact, 5-24V DC Trigger
Supported Formats	16:9, 16:10, 4:3
Casing Material	High-Grade Metal / Aluminium
Certifications	ROHS, CE, FC



Visit us at:- [www.ordainindia.com](http://www.ordainindia.com) | E-mail: [sales@ordainindia.com](mailto:sales@ordainindia.com) or [sales@soundshine.co.in](mailto:sales@soundshine.co.in)

Head Office:- B-191, 2nd Floor, Phase-1, Naraina Industrial Area, New Delhi-110028 | Marketing By:- Soundshine Projects Private Limited

## Available Sizes & Dimensions

6:9 Aspect Ratio (Home Theatre & Broadcast) *Standard sizes plus extended range*

Model	SIZE	VIEW AREA (INCH)	RATIO
OS-TT-77	77"	38 x 67	16:9
OS-TT-92	92"	45 x 80	16:9
OS-TT-100	100"	49 x 87	16:9
OS-TT-106	106"	52 x 92	16:9
OS-TT-110	110"	54 x 96	16:9
OS-TT-120	120"	59 x 105	16:9
OS-TT-133	133"	65 x 116	16:9
OS-TT-150	150"	74x 131	16:9
OS-TT-165	165"	81 x 144	16:9
OS-TT-180	180"	88 x 157	16:9
OS-TT-199	199"	98 x 174	16:9
OS-TT-220	220"	108 x 192	16:9
OS-TT-226	226"	197 X 111	16:9
OS-TT-240	240"	118 x 209	16:9

16:10 Aspect Ratio (Professional & Conference) *Ideal for WUXGA presentations*

OS-TT-94	94"	50 x 80	16:10
OS-TT-100	100"	53 x 85	16:10
OS-TT-109	109"	58 x 92	16:10
OS-TT-123	123"	65 x 104	16:10
OS-TT-130	130"	69 x 110	16:10
OS-TT-137	137"	73 x 116	16:10
OS-TT-150	150"	79.5 x 127	16:10
OS-TT-164	164"	87 x 139	16:10
OS-TT-180	180"	95 x 153	16:10
OS-TT-200	200"	106 X170	16:10
OS-TT-226	226"	192 X 120	16:10

**Note:-** LVC models Described as for example OS-TTLV-120

## Control & Automation Interface

The OS-TT Series features a sophisticated **LVC Controller** allowing for seamless integration:

- **RS232 Port:** For serial command integration (Hex codes available).
- **R / RF:** For wireless remote control.
- **Manual Override:** Push buttons for Up/Stop/Down.
- **Trigger Input:** Compatible with projector triggers (5V-24V DC)

