

HDMI Matrix Switcher

Engineered for Clarity. Designed for Control



18Gbps 4x4 Seamless Matrix with Multi-Viewer Function

Overview

The Ordain's 18Gbps 4x4 Seamless Matrix is a perfect solution for video transmission from 4 HDMI sources to 4 HDTV displays. It has video wall and multi-viewer functions with multiple display modes. 4x4 IR matrix, audio embedded and de-embedded are also supported. Video resolution is up to 4K@60Hz 4:4:4. Each of the sources can be individually scaled. And seamless switching ensures a smooth picture transition without frame loss. This matrix can be controlled via front panel buttons, IR remote, RS-232 and Web GUI.



Features

- HDCP 2.2 compliant
- Support video resolution up to 4K@60Hz 4:4:4 and 18Gbps video bandwidth, as specified in HDMI 2.0
- Support 12 display categories in multi-viewer mode, and 9 splicing modes in video wall mode
- HDMI audio format: LPCM, Dolby Digital/Plus/EX, Dolby True HD, DTS, DTSEX, DTS-96/24, DTS High Res, DTS-HD Master Audio
- The matrix supports multiple display modes: SINGLE, PIP, Dual, Triple 1, Triple 2, Triple 3, Quad 1, Quad 2, Quad 3, User 1, User 2, User 3.
- Support CEC control, and multiple video resolution output
- Advanced EDID management
- Control via front panel buttons, IR remote, RS-232, and Web GUI.

Technical Specifications

OS-HMS44MV

Specification	Details
Model	OS-HMS44MV
HDMI / HDCP Compliance	HDMI 2.0 / HDCP 2.2
Video Bandwidth	594MHz/18Gbps
Video Resolution	480i~1080P@50/60Hz, 4K2K@24/30Hz, 4K2K@60Hz
Color Space	RGB, YCbCr 4:4:4, YCbCr 4:2:2, YCbCr 4:2:0
Color Depth	8/10/12-bit
Audio Formats	LPCM, Dolby Digital/Plus/EX, Dolby True HD, DTS, DTS-EX, DTS- 96/24, DTS High Res, DTS-HD Master Audio
IR Level	12Vp-p
IR Frequency	Wideband 20K-60KHz
ESD Protection	IEC 61000-4-2: ±8kV (Air-gap discharge) & ±4kV (Contact discharge)
Input ports	4 × HDMI INPUT [Type A, 19-pin female] 4 × L/R AUDIO INPUT [3.81mm, 3pin Phoenix Connector]
Output ports	4 × HDMI OUTPUT [Type A, 19-pin female] 4 × OPTICAL ADIO OUT [S/PDIF] 4 × L/R AUDIO OUT [3.81mm, 5pin Phoenix Connector]
Control ports	1 × TCP/IP [RJ45] 1 × RS-232 [D-Sub 9] 1 × IR EXT [3.5mm, Stereo Mini-jack] 4 × IR INPUT [3.5mm, Stereo Mini-jack] 4 × IR OUTPUT [3.5mm, Stereo Mini-jack]
Housing	Metal Enclosure
Color	Black
Dimensions	440mm [W] × 203mm [D] × 44.5mm [H]
Weight	2.55kg
Power Supply	Input: AC 100-240V 50/60Hz, Output: DC 12V/2.5A
Power Consumption	25W (Max)
Operating Temperature	32 - 104°F / 0 - 40°C
Storage Temperature	-4 - 140°F / -20 - 60°C
Relative Humidity	20 - 90% RH (no-condensing)
Storage Temperature	-20°C ~ 60°C / -4°F ~ 140°F
Operating Humidity	20%~80% (relative humidity, non-condensing)
Storage Humidity	10%~90% (relative humidity, non-condensing)
Video Resolution	4K60-5m/16ft, 4K30-10m/32ft, 1080p60-15m/50ft
The use of "Premium High Speed HDMI" cable is highly recommended.	

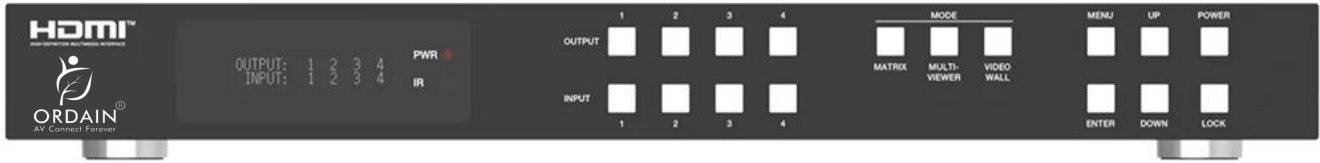
* Pictures of Device may vary from actual models.
* Product Hardware / Specification are subject to change-without further notice.
* All Trademarks, Logos, Brands & Product name are properties of the respective owner



Visit us at:- www.ordainindia.com | E-mail: sales@ordainindia.com or sales@soundshine.co.in

Head Office:- B-191, 2nd Floor, Phase-1, Naraina Industrial Area, New Delhi-110028 | Marketing By:- Soundshine Projects Private Limited

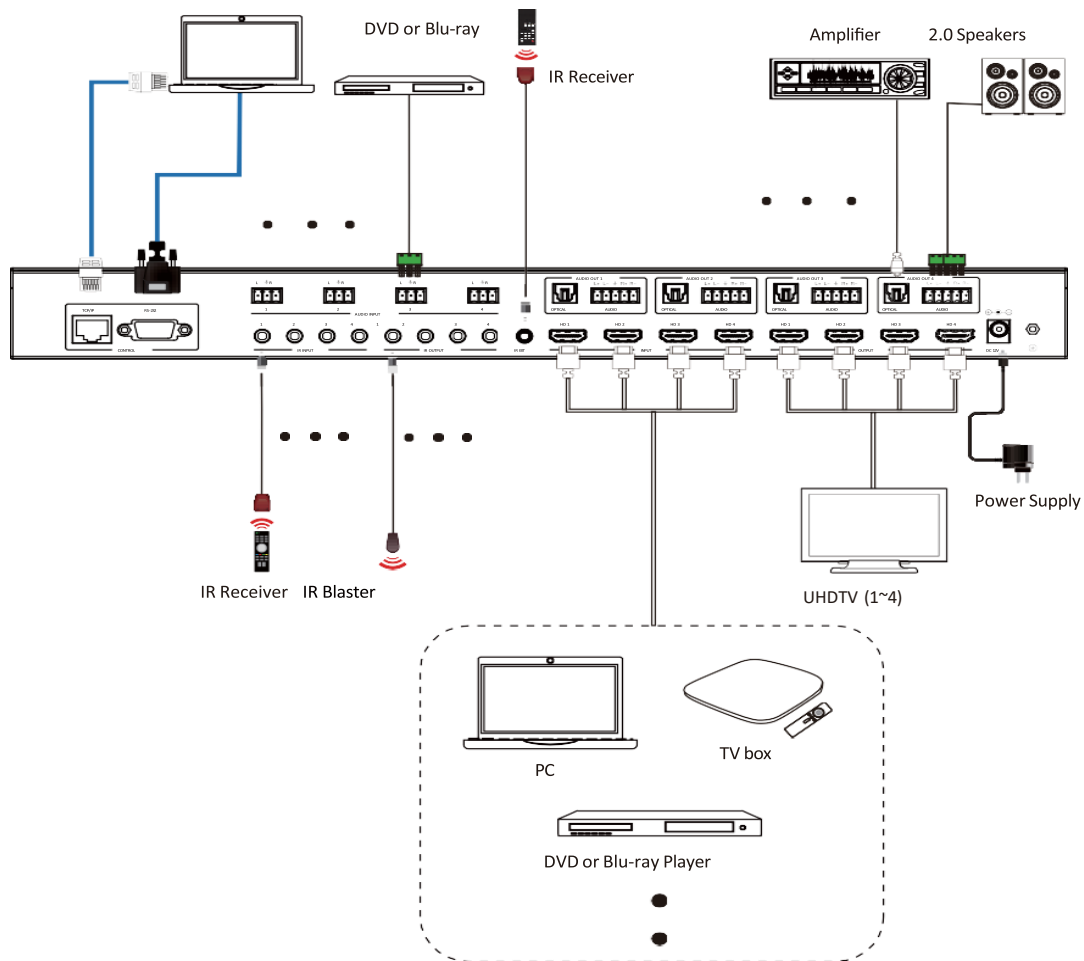
Front View



Rear View



Connectivity Diagram



- * Pictures of Device may vary from actual models.
- * Product Hardware / Specification are subject to change-without further notice.
- * All Trademarks, Logos, Brands & Product name are properties of the respective owner