

HDMI Matrix Switcher

Engineered for Clarity. Designed for Control

4x2 HDMI 2.0 18Gbps Matrix Switcher



Overview

This product is an 18G HDMI video switcher with 4 HDMI inputs and 2 scaling HDMI outputs. Each input and output supports up to 4K60 444 HDMI 18G video. The outputs can be individually scaled for 1080p or HDBaseT compatibility. De-embedded audio as analogue L+R and optical TosLink is available for both outputs. The Matrix Switcher can automatically control the display device using RS232, CEC or IR when the last input signal is lost, or when the first video input is detected. This switcher can be controlled from the front panel, RS232, IR, or LAN.



Features

- HDMI 2.0, HDCP 2.2 / HDCP 1.4 and DVI 1.0 compliant
- Four 18G HDMI 2.0 video inputs supporting up to 4K60 4:4:4 resolution
- Two 18G HDMI 2.0 video outputs supporting up to 4K60 4:4:4 resolution
- Both outputs can be individually scaled for 4K→1080p or HDBaseT mode
- Automatic RS232, CEC and IR control of the display device power state
- Two sets of de-embedded audio analogue and TosLink outputs, for both outputs.
- ARC decoding to the TosLink audio outputs only
- Test Pattern mode for testing output signal integrity to the display
- Built-in Web GUI for LAN control
- Four methods of control: Front panel, RS232, IR and LAN

Technical Specifications

OS-HMS42AD

Specification	Details
Model	OS-HMS42AD
HDMI / HDCP Compliance	HDMI 2.0 / HDCP 2.2 and HDCP 1.4
Video Bandwidth	18 Gbps
Video Resolution	4K2K 50/60Hz 4:4:4, 4K2K 50/60Hz 4:2:0, 4K2K 30Hz 4:4:4, 1080p, 1080i, 720p, 720i, 480p, 480i All HDMI 3D TV formats, All PC resolutions including 1920 x 1200
3D Support	Yes
Output Scaling	4K to 1080p 4K to HDBaseT (Down-scale to no more than 10.2Gbps)
Color Space	RGB, YCbCr4:4:4, YCbCr4:2:2, YCbCr 4:2:0
Color Depth	8-bit, 10-bit, 12-bit [1080P, 4K30Hz, 4K60Hz (YCbCr 4:2:0)], 8-bit [4K60Hz (YCbCr4:4:4)]
HDMI Audio Formats	PCM2.0/5.1/7.1CH, Dolby Digital/Plus/EX, Dolby True HD, DTS, DTS-EX, DTS-96/24, DTS High Res, DTS-HD Master Audio, DSD
HDR formats	HDR10, HDR10+, Dolby Vision, HLG
L/R Audio Formats	PCM2.0CH (Note: If ARC function is turned on, the audio port will mute.)
Optical Audio Formats	PCM2.0, Dolby Digital / Plus, DTS
RS232 Control	57600, No parity, 8 data bits, 1 stop bit, No hand-shaking
RS232-A & RS232-B	Configurable from 4800 to 115200 baud; 7 or 8 bits; none, odd or even parity and 1 or 2 stop bits.
ESD Protection	Human-body Model: ±8kV (Air-gap discharge), ±4kV (Contact discharge)
Input Ports	4×HDMI Type A [19-pin female]
Output Ports	2×HDMI Type A [19-pin female] 2×L/R audio out [3-pin phoenix connector] 2×OPTICAL audio out [S/PDIF] 2×RS232 A/B [3-pin phoenix connector]
Control port	1×LAN [RJ45] 3×RS232 [3-pin phoenix connector] 1×IR IN [3.5mm Stereo Mini-jack]
Housing	Metal Enclosure
Color	Black
Dimensions	218mm(W)×140mm(D)×43mm(H)
Weight	1050g
Power Supply	Input: AC100~240V 50/60Hz Output: DC12V/1A (Locking connector)
Power Consumption	4.3W (max)
Operating Temperature	0°C ~ 40°C / 32°F ~ 104°F
Storage Temperature	-20°C ~ 60°C / -4°F ~ 140°F
Relative Humidity	20~90% RH (non-condensing)

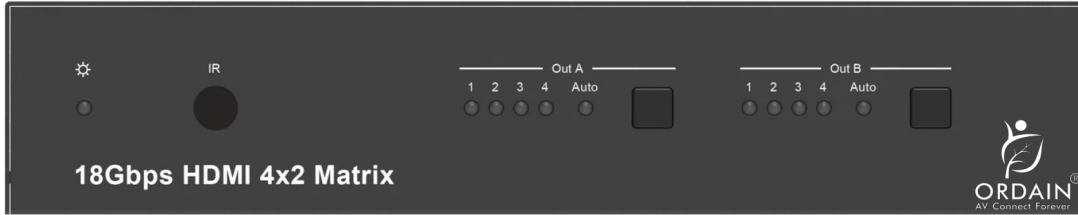
* Pictures of Device may vary from actual models.
* Product Hardware / Specification are subject to change-without further notice.
* All Trademarks, Logos, Brands & Product name are properties of the respective owner



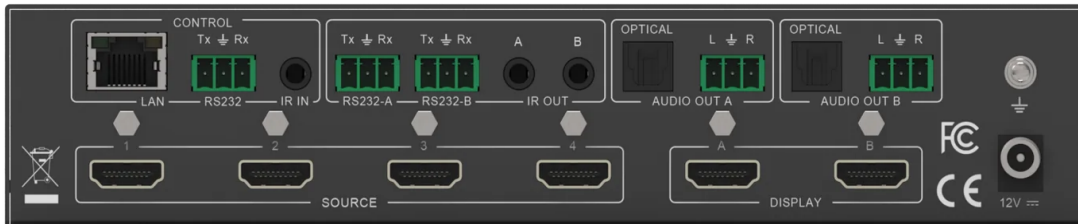
Visit us at:- www.ordainindia.com | E-mail: sales@ordainindia.com or sales@soundshine.co.in

Head Office:- B-191, 2nd Floor, Phase-1, Naraina Industrial Area, New Delhi-110028 | Marketing By:- Soundshine Projects Private Limited

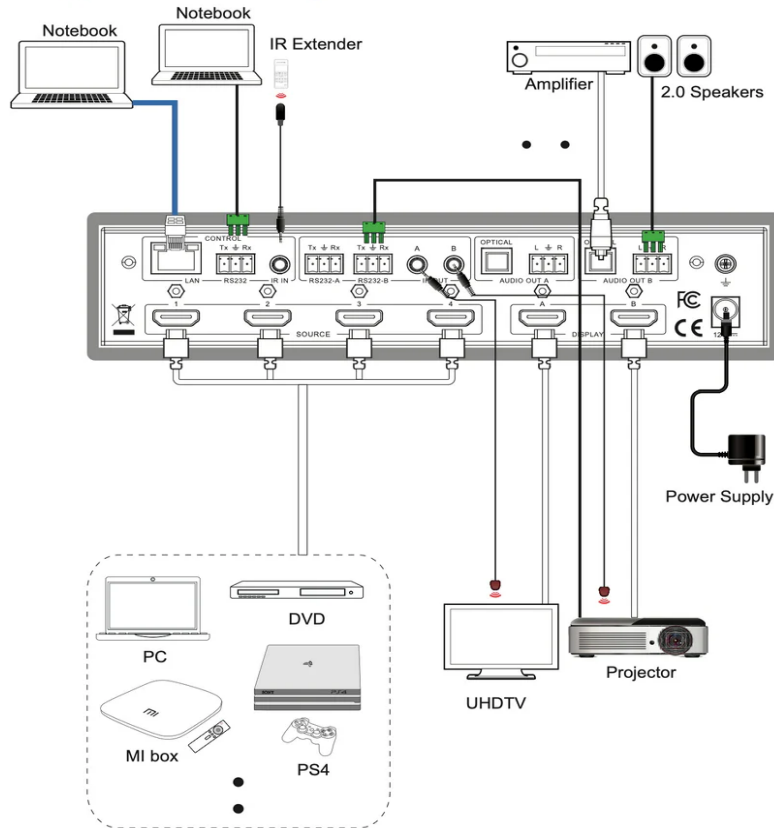
Front View



Rear View



Connectivity Diagram



* Pictures of Device may vary from actual models.
 * Product Hardware / Specification are subject to change-without further notice.
 * All Trademarks, Logos, Brands & Product name are properties of the respective owner

