

HDMI Extender

Engineered for Clarity. Designed for Control

18Gbps HDMI Extender (70m) with PoC



Overview

This Ordains 18Gbps HDMI Extender can extend HDMI HD signal and IR control signal to a distance up to 230ft / 70m via a single CAT6/6a cable, which can achieve zero-delay, uncompressed long-distance transmission between the transmitter and receiver. Video resolution is up to 4K2K@60Hz. It supports EDID copy pass-through function between the source device and display device. It supports PoC function. This Extender can be widely used in multi-media conference halls, TV teaching and large-screen displays.



Features

- HDCP 2.2 compliant
- Support 18Gbps video bandwidth
- Support video resolution up to 4K2K@60Hz RGB/YCBCR 4:4:4, as specified in HDMI 2.0b
- The transmission distance can be extended up to 230ft / 70m via a single CAT6/6a cable
- Support HDR, HDR10, HDR10+, Dolby Vision, HLG
- Support bi-directional IR control signal pass-through
- Audio formats: LPCM 7.1, Dolby True HD, DTS HD Master
- EDID copy pass-through function between the source device and display device
- Support ARC and audio de-embedding, audio is output through the optical fiber port of the receiver
- Support bi-directional PoC (Power over Cable) function
- Compact design for easy and flexible installation

* Pictures of Device may vary from actual models.
 * Product Hardware / Specification are subject to change-without further notice.
 * All Trademarks, Logos, Brands & Product name are properties of the respective owner

Technical Specifications

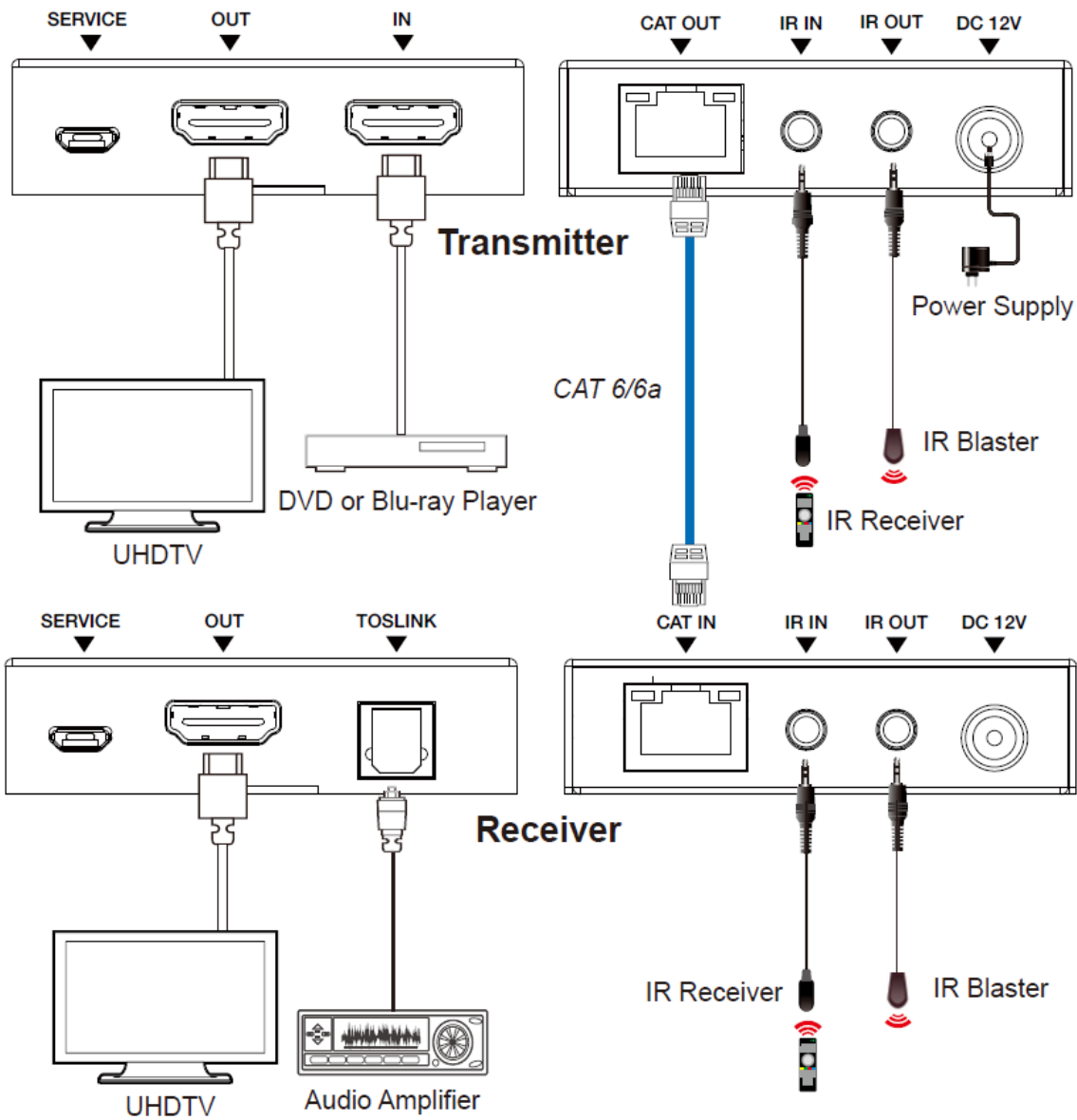
OS-HE70

| Specification | Details |
|-----------------------|---|
| Model | OS-HE70 |
| HDMI Compliance | HDMI 2.0b |
| HDCP Compliance | HDCP 2.2 |
| Video Bandwidth | 18Gbps |
| Video Resolution | Up to 4K2K@60Hz RGB/YCBCR 4:4:4 |
| IR Level | 5Vp-p |
| IR Frequency | Wideband 20K-60KHz |
| Transmission Distance | 4K2K@60Hz 4:4:4--70m, 1080P--70m (CAT6/6a cable) |
| Color Space | RGB 4:4:4, YCbCr 4:4:4, YCbCr 4:2:2, YCbCr 4:2:0 |
| Color Depth | 8/10/12bit |
| HDR | HDR, HDR10, HDR10+, Dolby Vision, HLG |
| Audio Formats | HDMI: LPCM 7.1CH, Dolby True HD, DTS-HD Master Optical: Dolby 5.1, DTS 5.1, PCM 2.0 |
| ESD Protection | IEC 61000-4-2: ±8kV (Air-gap discharge), ±4kV (Contact discharge) |
| Transmitter | Input: 1× IN [HDMI Type A, 19-pin female] Output: 1× OUT [HDMI Type A, 19-pin female], 1× CAT OUT [RJ45] Control: 1× SERVICE [Micro-USB jack], 1× IR IN [3.5mm Stereo Mini-jack], 1× IR OUT [3.5mm Stereo Mini-jack] |
| Receiver | Input: 1× CAT IN [RJ45] Output: 1× OUT [HDMI Type A, 19-pin female] 1× TOSLINK Control: 1× SERVICE [Micro-USB jack] 1× IR IN [3.5mm Stereo Mini-jack] 1× IR OUT [3.5mm Stereo Mini-jack] |
| Housing | Metal Enclosure |
| Color | Black |
| Dimensions | Transmitter / Receiver: 90mm (W)×68mm (D) ×18mm (H) |
| Weight | Transmitter: 160g, Receiver: 155g |
| Power Supply | DC 12V/1A; Support bi-directional PoC function |
| Power Consumption | 3.36 W (max) |
| Operating Temperature | 0°C ~ 40°C / 32°F ~ 104°F |
| Storage Temperature | -20°C ~ 60°C / -4°F ~ 140°F |
| Operating Humidity | 20%~80% (relative humidity, non-condensing) |
| Storage Humidity | 10%~90% (relative humidity, non-condensing) |



Visit us at:- www.ordainindia.com | E-mail: sales@ordainindia.com or sales@soundshine.co.in

Head Office:- B-191, 2nd Floor, Phase-1, Naraina Industrial Area, New Delhi-110028 | Marketing By:- Soundshine Projects Private Limited



* Pictures of Device may vary from actual models.
 * Product Hardware / Specification are subject to change-without further notice.
 * All Trademarks, Logos, Brands & Product name are properties of the respective owner

