

## PROJECTOR LIFTS

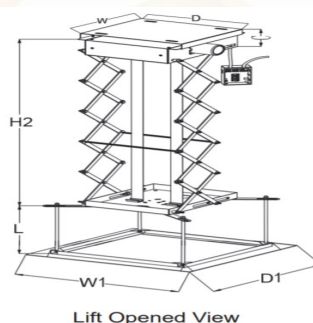


**ORDAIN™**  
AV Connect Forever

### Projector Motorised Lifts (Steel)



**I**d eally designed for the corporate setup, these sophisticated, motorized Projector Lifts are easy to use by adjusting height with the user-friendly RF remote. Compatible to fix from the ceiling, these Projector Lifts provide a hassle-free operation with a smart outlook.



Technical Specs	OS-SPL100	OS-SPL 150	OS-SPL 200	OS-SPL 250
Motor	Synchronous Motor	Synchronous Motor	Synchronous Motor	Synchronous Motor
Power supply	220-230 V 50 HZ	220-230 V 50 HZ	220-230 V 50 HZ	220-230 V 50 HZ
Dimension Lift Closed (WxHxL)	490x500x490 (mm)	490x550x490 (mm)	490x610x490 (mm)	490x710x490 (mm)
Dimension Lift Opened (WxHxL)	490x1000x490 (mm)	490x1500x490 (mm)	490x2000x490 (mm)	490x2500x490 (mm)
Dimension Lift Opened Including Fixing ( Wx(H+D) xL)	490x1290x490 (mm)	490x1790x490 (mm)	490x2290x490 (mm)	490x2790x490 (mm)
Lift Size Opened (H)	1000mm	1500mm	2000mm	2500mm
Connecting Piece (D)	290mm	290mm	290mm	290mm

Model	Description	Ceiling Depth	Max Load	Weight (Kg) With Box	Weight (Kg) Without Box
OS-SPL100	Steel Motorized Projector Lift 100 Cms	Min. 500mm	15Kg	22.3	20.1
OS-SPL 150	Steel Motorized Projector Lift 150 Cms	Min. 600mm	15Kg	25.6	23.5
OS-SPL 200	Steel Motorized Projector Lift 200 Cms	Min. 800mm	15Kg	21.8	20
OS-SPL 250	Steel Motorized Projector Lift 250 Cms	Min. 1000mm	15Kg	27.3	25.5

Visit us at: [www.ordainindia.com](http://www.ordainindia.com) | E-mail: [sales@ordainindia.com](mailto:sales@ordainindia.com) or [marketing@soundshine.co.in](mailto:marketing@soundshine.co.in)

Corporate Office: - E-136, 3<sup>rd</sup> Floor, Sector 7, Noida, UP-201301 | Marketing By: - Soundshine Projects Private Limited