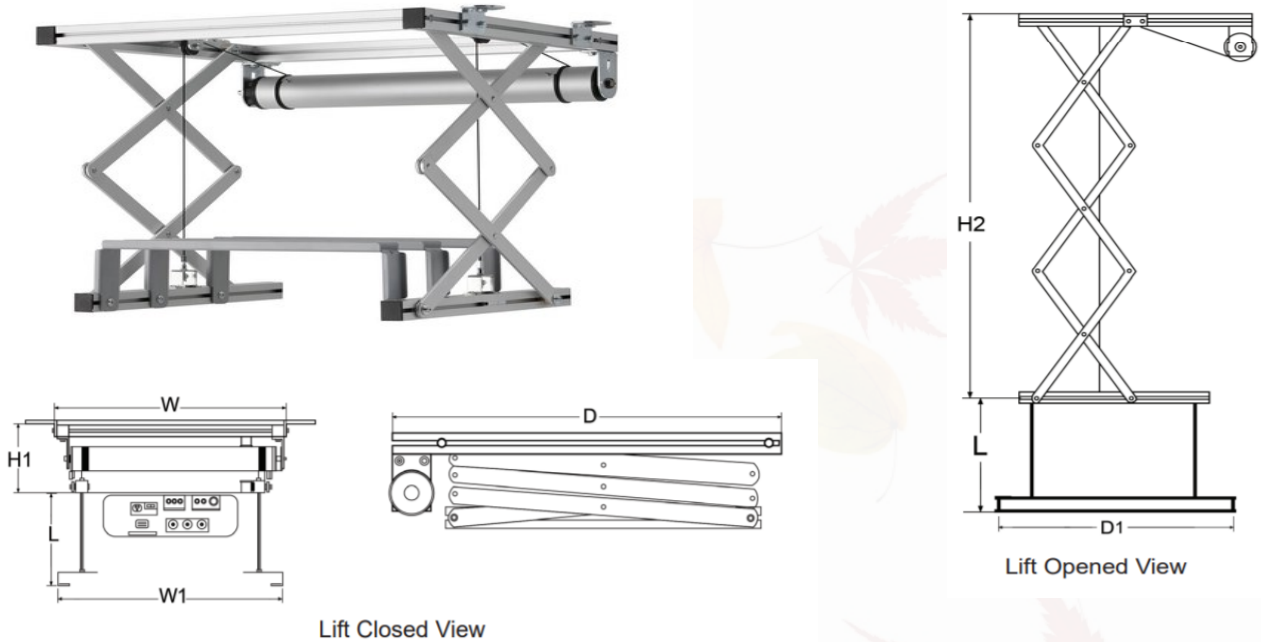


PROJECTOR LIFTS



ORDAIN™
AV Connect Forever

Projector Motorised Lifts (Aluminium)



Technical Specs	OS-APL 100	OS-APL 150	OS-APL 200	OS-APL 300
Motor	Tubular Motor	Tubular Motor	Tubular Motor	Tubular Motor
Power supply	220-230 V 50 HZ	220-230 V 50 HZ	220-230 V 50 HZ	220-230 V 50 HZ
Dimension Lift Closed (WxHxL)	576x160x550 (mm)	576x205x550 (mm)	576x235x550 (mm)	576x305x550 (mm)
Dimension Lift Opened (WxHxL)	576x960x550 (mm)	576x1460x550 (mm)	576x1960x550 (mm)	576x2960x550 (mm)
Dimension Lift Opened Including Fixing (Wx(H+D)xL)	576x1244x550 (mm)	576x1744x550 (mm)	576x2244x550 (mm)	576x3244x550 (mm)
Lift Size Opened (H)	960mm	1460mm	1960mm	2960mm
Connecting Piece (D)	284mm	284mm	284mm	284mm

Model	Description	Ceiling Depth	Max Load	Weight (Kg) With Box	Weight (Kg) Without Box
OS-APL 100	Aluminium Motorized Projector Lift 100 Cms	Min. 500mm	15Kg	16.5	15.2
OS-APL 150	Aluminium Motorized Projector Lift 150 Cms	Min. 600mm	15Kg	18.5	17
OS-APL 200	Aluminium Motorized Projector Lift 200 Cms	Min. 800mm	15Kg	20.1	19
OS-APL 300	Aluminium Motorized Projector Lift 300 Cms	Min. 1000mm	15Kg	23.1	21.1